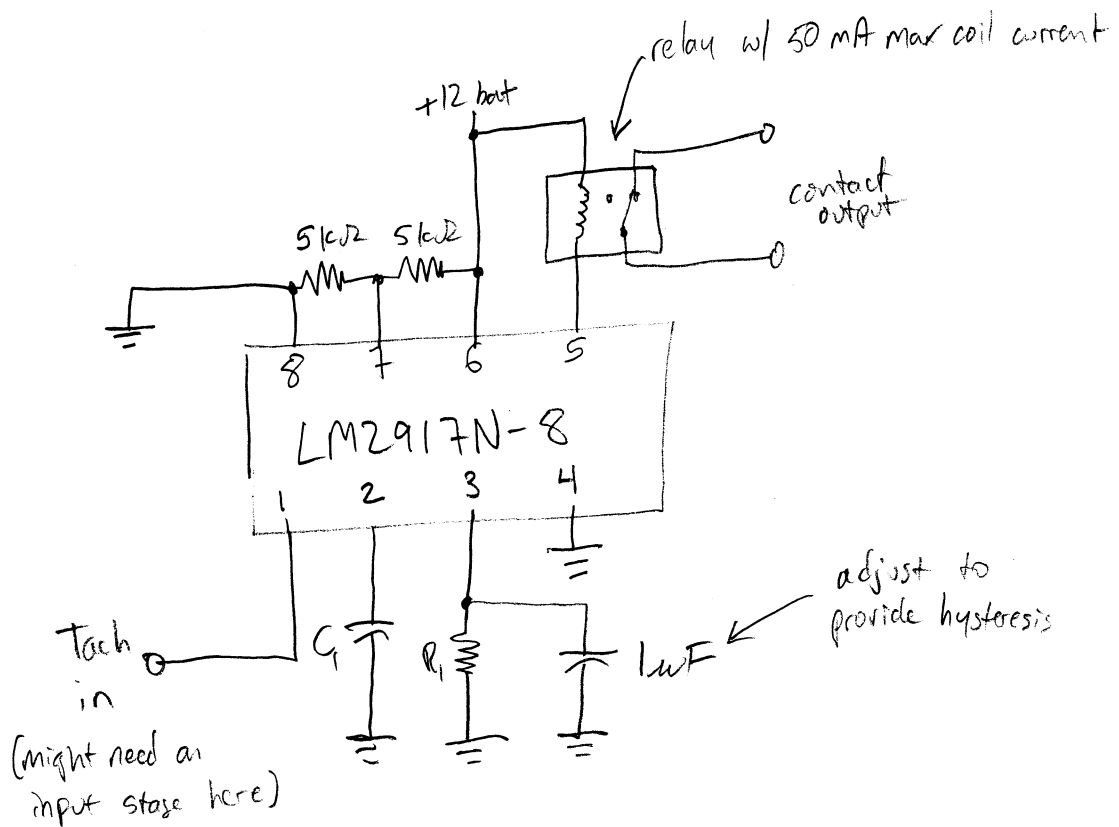
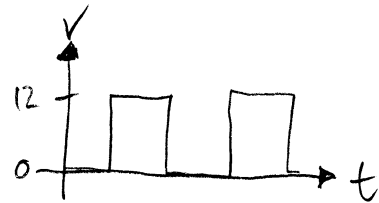


RPM-triggered contact closure output

Tachometer input: 12V square wave



Contacts close when $f_{in} \geq \frac{1}{2RC_1}$ (f_{in} in Hz)

Set R_1 to 100kΩ

Choose C_1 for desired RPM

ex. for 2800 RPM switchpoint (4 pulses per rev tach)

$$f_{in} = 187 \text{ Hz}$$

$$C_1 = 2.67 \mu\text{F} \text{ - fine tune } R_1 \text{ depending on capacitor availability}$$