

<- Back

Forward ->

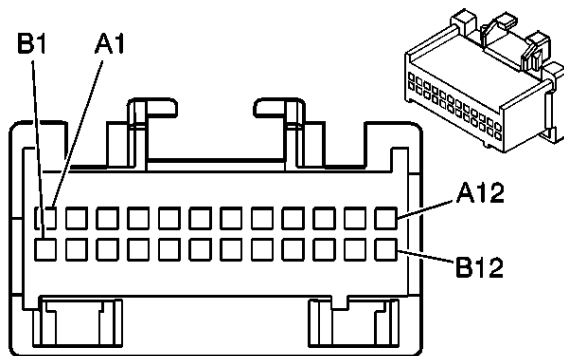
Document ID# 1849309
2007 Chevrolet Silverado - 4WD

Print

Data Communication Connector End Views

- Connector 1: [Auxiliary Body Control Module \(XBCM\) X1 \(Export\)](#)
Connector 2: [Auxiliary Body Control Module \(XBCM\) X2 \(Export\)](#)
Connector 3: [Body Control Module \(BCM\) X1](#)
Connector 4: [Body Control Module \(BCM\) X2](#)
Connector 5: [Body Control Module \(BCM\) X3](#)
Connector 6: [Body Control Module \(BCM\) X4](#)
Connector 7: [Body Control Module \(BCM\) X5](#)
Connector 8: [Body Control Module \(BCM\) X6](#)
Connector 9: [Body Control Module \(BCM\) X7](#)
Connector 10: [Data Link Connector \(DLC\)](#)
Connector 11: [Terminator Resistor](#)

Auxiliary Body Control Module (XBCM) X1 (Export)



Connector Part Information

- OEM: 12110088
- Service: 15306210
- Description: 24-Way F Micro-Pack 100 Series (GY)

Terminal Part Information

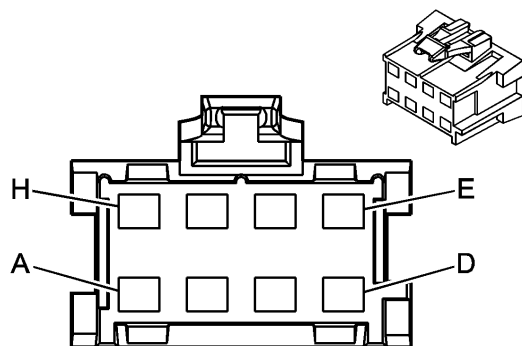
- Pins: A1-A3, A7-A8, A10, A12, B1-B2, B4
- Terminal/Tray: 12146447/3
- Core/Insulation Crimp: E/C

- Release Tool/Test Probe: 12031876-1/J-35616-6 (BN)

Auxiliary Body Control Module (XBCM) X1 (Export)

Pin	Wire Color	Circuit No.	Function
A1	0.5 BK	1050	Ground
A2	0.5 RD/WH	2640	Battery Positive Voltage
A3	0.35 D-GN	5060	Low Speed GMLAN Serial Data
A4-A6	--	--	Not Used
A7	0.8 BK/WH	1851	Ground
A8	0.35 L-BU	187	Rear Fog Lamp Switch Signal
A9	--	--	Not Used
A10	0.35 PK	7141	Trailer Connected Signal Trailer
A11	--	--	Not Used
A12	0.35 YE	1618	Trailer Left Rear Turn/Stop Lamp Supply Voltage
B1	0.5 L-BU	1320	CHMSL Supply Voltage
B2	0.35 PK	239	Ignition 1 Voltage
B3-B10	--	--	Not Used
B11	0.35 D-GN	1619	Trailer Right Rear Turn/Stop Lamp Supply Voltage
B12	--	--	Not Used

Auxiliary Body Control Module (XBCM) X2 (Export)



Connector Part Information

- OEM: 15357040
- Service: 12110626
- Description: 8-Way F Metri-Pack 280 (L-GY)

Terminal Part Information

- Pins: A-B

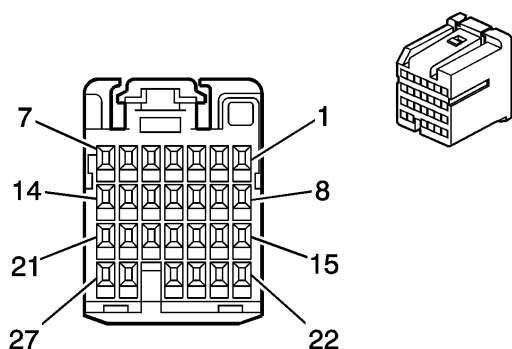
- Terminal/Tray: 12110844/4
- Core/Insulation Crimp: C/A
- Release Tool/Test Probe: 15315247/J-35616-4A (PU)

- Pins: G-H
- Terminal/Tray: 12110844/4
- Core/Insulation Crimp: E/A
- Release Tool/Test Probe: 15315247/J-35616-4A (PU)

Auxiliary Body Control Module (XBCM) X2 (Export)

Pin	Wire Color	Circuit No.	Function
A	0.8 L-BU	1620	CHMSL Supply Voltage
B	0.8 RD/WH	4540	Battery Positive Voltage
C-F	--	--	Not Used
G	0.5 OG	122	Rear Fog Lamp Supply Voltage
H	0.5 PU	7142	Trailer Fog Lamp

Body Control Module (BCM) X1



Connector Part Information

- OEM: 15482789
- Service: 88988838
- Description: 27-Way F Receptacle 0.64 2.8 (L-GN)

Terminal Part Information

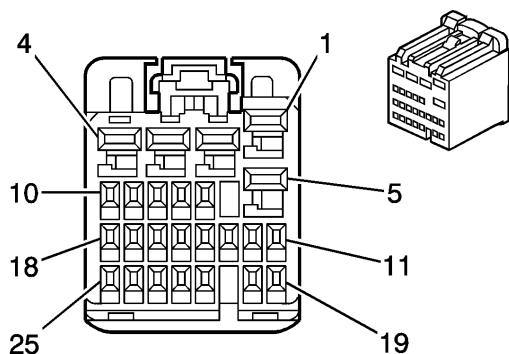
- Pins: 1-9, 14-21, 23-26
- Terminal/Tray: SNAC3-A021T-M0.64/20
- Core/Insulation Crimp: J/J
- Release Tool/Test Probe: 12094429/J-35616-64B (L-BU)

Body Control Module (BCM) X1

Pin	Wire Color	Circuit No.	Function
1	--	--	Not Used

2	0.35 PK/BK	1020	Ignition III Voltage
3	0.35 GY	1884	Cruise Control Switch Signal
4	0.35 WH	530	5V
5	0.35 L-GN	1715	Windshield Wiper Switch High Signal
6	0.35 L-GN	6818	Steering Wheel Control Switch Signal
7	--	--	Not Used
8	0.35 TN/BK	6009	Low Reference
9	0.35 L-BU	1714	Windshield Wiper Switch Low Signal
10-13	--	--	Not Used
14	0.35 PK	3	Ignition 1 Voltage
15	0.35 D-GN	663	Hazard Switch Left Turn Signal
16	0.35 TN	664	Hazard Switch Right Turn Signal
17	0.35 PK	1444	12V
18	0.35 YE	525	Headlamp Dimmer Switch Signal
19	0.35 WH	111	Hazard Switch Signal
20	0.5 PU	5526	Tap Up/Tap Down Switch Signal
21	0.35 BN	4	Ignition 1 Voltage
22	--	--	Not Used
23	0.5 L-BU	553	Tow/Haul Switch Signal
24	0.35 PK	94	Windshield Washer Switch Signal
25	0.35 YE	307	Headlamp Flash to Pass Signal
26	0.35 TN/WH	816	A/T Shift Lock Solenoid Supply Voltage
27	--	--	Not Used

Body Control Module (BCM) X2



Connector Part Information

- OEM: 15482790
- Service: See Catalog
- Description: 25-Way F HIT Series (NA)

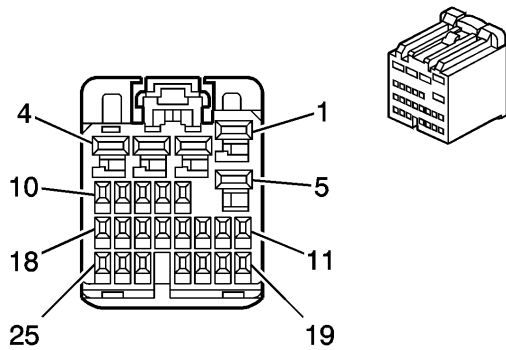
Terminal Part Information

- Pins: 1-3, 5
- Terminal/Tray: SNAC-A061T-M2.8/20
- Core/Insulation Crimp: E/A
- Release Tool/Test Probe: 12094429/J-35616-4A (PU)
- Pins: 8, 11-12, 17-18, 21-22, 25
- Terminal/Tray: SNAC3-A021T-M0.64/20
- Core/Insulation Crimp: J/J
- Release Tool/Test Probe: 12094429/J-35616-64B (L-BU)

Body Control Module (BCM) X2

Pin	Wire Color	Circuit No.	Function
1	0.5 OG	6815	Inadvertent Power Supply Voltage
2	0.5 RD/WH	2540	Battery Positive Voltage
3	0.5 BN/WH	230	Instrument Panel Lamps Dimming Control
4	--	--	Not Used
5	0.5 GY	157	Courtesy Lamp Control
6-7	--	--	Not Used
8	0.35 L-BU	13	Headlamp Switch Park Lamps Signal
9-10	--	--	Not Used
11	0.35 WH	278	Ambient Light Sensor Signal
12	0.35 WH	103	Headlamp Switch Headlamps On Signal
13-16	--	--	Not Used
17	0.35 D-GN	306	Headlamp Switch Headlamps Off Signal
18	0.35 D-BU/WH	149	Courtesy Lamp Supply Voltage
19-20	--	--	Not Used
21	0.35 L-BU	1788	Traction Control Switch Signal
22	0.35 YE	43	Accessory Voltage
23-24	--	--	Not Used
25	0.35 PU	328	Interior Lamp Defeat Switch Signal

Body Control Module (BCM) X3



Connector Part Information

- OEM: 15482791
- Service: See Catalog
- Description: 25-Way F HIT Series (L-BU)

Terminal Part Information

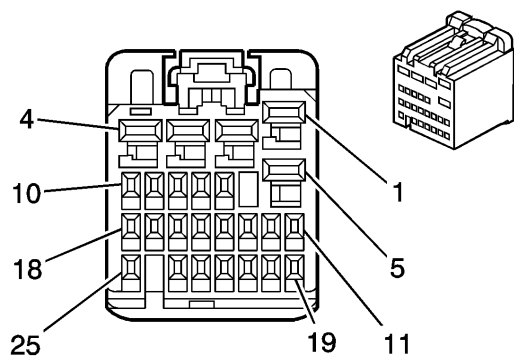
- Pins: 1-3, 5
- Terminal/Tray: SNAC-A061T-M2.8/20
- Core/Insulation Crimp: E/A
- Release Tool/Test Probe: 12094429/J-35616-4A (PU)
- Pins: 7-13, 16-19, 21, 22, 25
- Terminal/Tray: SNAC3-A021T-M0.64/20
- Core/Insulation Crimp: J/J
- Release Tool/Test Probe: 12094429/J-35616-64B (L-BU)

Body Control Module (BCM) X3

Pin	Wire Color	Circuit No.	Function
1	0.8 BK/WH	1851	Ground
2	0.8 RD/WH	2140	Battery Positive Voltage
3	0.5 RD/WH	3840	Battery Positive Voltage
4	--	--	Not Used
5	0.8 BK/WH	1851	Ground
6	--	--	Not Used
7	0.5 GY	728	Security Indicator Control SPO Alarm
8	0.5 TN/BK	2500	High Speed GMLAN Serial Data Bus+
9	0.5 TN	2501	High Speed GMLAN Serial Data Bus-
10	0.35 D-GN	5060	Low Speed GMLAN Serial Data
11	0.35 D-GN	44	Instrument Panel Lamp Dimmer Switch Signal
12	0.35 OG/WH	812	12V
13	0.35 PU	7062	Brake Switch Signal

14-15	--	--	Not Used
16	0.5 TN/BK	2500	High Speed GMLAN Serial Data Bus+
17	0.5 TN	2501	High Speed GMLAN Serial Data Bus-
18	0.35 YE	6817	LED Backlight Dimming Control
19	0.35 L-BU	5986	Serial Data Communication Enable
20	--	--	Not Used
21	0.35 OG	192	Front Fog Lamp Switch Signal/Fog Lamps Enable (T96)
22	0.35 L-GN/WH	7158	Cruise Control Indicator Dimming Signal
23-24	--	--	Not Used
25	0.35 PU/WH	6816	Indicator Dimming Control

Body Control Module (BCM) X4



Connector Part Information

- OEM: 15482792
- Service: See Catalog
- Description: 25-Way F HIT Series (BK)

Terminal Part Information

- Pins: 1-5
- Terminal/Tray: SNAC-A061T-M2.8/20
- Core/Insulation Crimp: E/A
- Release Tool/Test Probe: 12094429/J-35616-4A (PU)

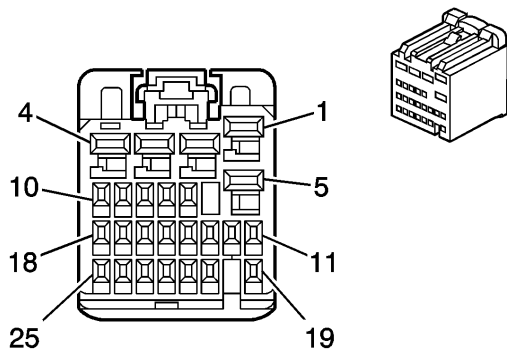
- Pins: 7, 9-19, 21, 23
- Terminal/Tray: SNAC3-A021T-M0.64/20
- Core/Insulation Crimp: J/J
- Release Tool/Test Probe: 12094429/J-35616-64B (L-BU)

Body Control Module (BCM) X4

Pin	Wire Color	Circuit No.	Function
-----	------------	-------------	----------

1	0.8 RD/WH	2740	Battery Positive Voltage
2	0.8 RD/WH	3040	Battery Positive Voltage
3	0.8 RD/WH	2940	Battery Positive Voltage
4	0.8 RD/WH	2240	Battery Positive Voltage
5	0.5 D-BU/WH	1315	Right Front Turn Signal Lamp Supply Voltage
6	--	--	Not Used
7	0.35 YE	196	Windshield Wiper Motor Park Switch Signal
8	--	--	Not Used
9	0.5 BK/WH	451	Ground
10	0.35 RD/WH	2840	Battery Positive Voltage
11	0.35 D-GN/WH	1317	Fog Lamp Relay Control
12	0.35 YE	5187	Right Trailer Turn Signal Lamp
13	0.35 OG	5186	Left Trailer Turn Signal Lamp
14	0.35 L-GN	482	Outside Moisture Sensor Signal 2 (CE1)
15	0.5 OG	2268	Windshield Washer Relay Control
16	0.35 TN/WH	1969	Headlamp High Beam Relay Control
17	0.35 PK/BK	109	Hood Ajar Switch Signal
18	0.35 TN	481	Outside Moisture Sensor Signal 1 (CE1)
19	0.35 D-BU	5985	Accessory Wakeup Serial Data
20	--	--	Not Used
21	0.35 YE	5199	Run/Crank Relay Coil Control
22	--	--	Not Used
23	0.35 L-GN/BK	592	DRL Relay Control
24-25	--	--	Not Used

Body Control Module (BCM) X5



Connector Part Information

- OEM: 15480179
- Service: See Catalog
- Description: 25-Way F HIT Series (BN)

Terminal Part Information

- Pins: 1, 2, 4-5
- Terminal/Tray: SNAC-A061T-M2.8/20
- Core/Insulation Crimp: Pins 1, 2 - C/A
- Core/Insulation Crimp: Pins 4, 4, 5 - E/A
- Release Tool/Test Probe: 12094429/J-35616-4A (PU)

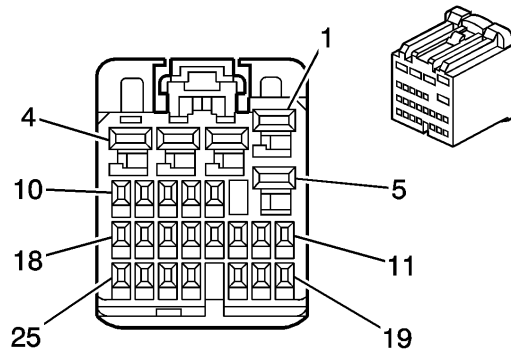
- Pins: 6, 8-11, 13-16, 18-21, 23-24
- Terminal/Tray: SNAC3-A021T-M0.64/20
- Core/Insulation Crimp: J/J
- Release Tool/Test Probe: 12094429/J-35616-64B (L-BU)

Body Control Module (BCM) X5

Pin	Wire Color	Circuit No.	Function
1	0.5 YE	18	Left Rear Stop/Turn Lamp Supply Voltage
2	0.5 D-GN	19	Right Rear Stop/Turn Lamp Supply Voltage
3	--	--	Not Used
4	0.5 L-BU/WH	1314	Left Front Turn Signal Lamp Supply Voltage
5	0.5 L-BU	1320	CHMSL Supply Voltage/Stop Lamp Supply Voltage
6	0.35 L-BU/WH	6311	Cruise/ETC/TCC Brake Signal
7	--	--	Not Used
8	0.5 PK	5076	Current Sensor Supply Voltage
9	0.5 WH	5075	Current Sensor Signal
10	0.5 BN	5077	Low Reference
11	0.35 D-BU	38	Backup Lamp Relay Control
12	--	--	Not Used
13	0.35 OG	300	Ignition 3 Voltage
14	0.35 WH	2283	12V
15	0.35 PU	5531	Hood Closed Switch Signal
16	0.35 L-BU	1134	Park Brake Switch Signal (Park brake systems only)
17	--	--	Not Used
18	0.35 TN	28	Horn Relay Control
19	0.35 YE	6812	Out of Park Signal (JF4)
20	0.35 GY	91	Windshield Wiper Switch Signal 2
21	0.35 TN	860	Front Windshield Wiper Switch High Signal Control
22	--	--	Not Used
23	0.35 PK/WH	1970	Headlamp Low Beam Relay Control

24	0.35 D-BU	45	Park Lamp Relay Control
25	--	--	Not Used

Body Control Module (BCM) X6



Connector Part Information

- OEM: 15482793
- Service: See Catalog
- Description: 25-Way F HIT Series (PK)

Terminal Part Information

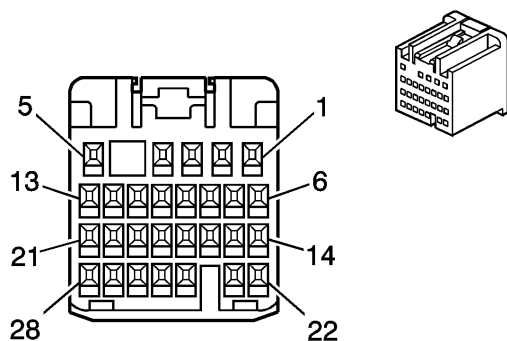
- Pins: 2
- Terminal/Tray: SNAC-A061T-M2.8/20
- Core/Insulation Crimp: C/A
- Release Tool/Test Probe: 12094429/J-35616-4A (PU)
- Pins: 8-10, 14-16, 18, 20, 23
- Terminal/Tray: SNAC3-A021T-M0.64/20
- Core/Insulation Crimp: J/J
- Release Tool/Test Probe: 12094429/J-35616-64B (L-BU)

Body Control Module (BCM) X6

Pin	Wire Color	Circuit No.	Function
1	--	--	Not Used
2	1 WH/BK	158	Courtesy Lamp Supply Voltage
3-7	--	--	Not Used
8	0.35 TN/WH	746	Right Front Door Ajar Switch Signal (-AN3)
9	0.35 D-BU	245	Passenger Door Lock Switch Unlock Signal (AU3)
10	0.35 GY/BK	745	Left Front Door Ajar Switch Signal (-AN3)
11-13	--	--	Not Used
14	0.35 L-GN/BK	748	Right Rear Door Ajar Switch Signal (Crew Cab)

15	0.35 L-BU/BK	747	Left Rear Door Ajar Switch Signal (Crew Cab)
16	0.35 OG	5922	Non-Driver Door Open Switch Signal
17	--	--	Not Used
18	0.35 L-BU	244	Passenger Door Lock Switch Lock Signal (AU3)
19	--	--	Not Used
20	0.35 L-GN	262	Driver Door Key Switch Signal (AU3-AN3)
21-22	--	--	Not Used
23	0.5 YE	5058	Intrusion Sensor Armed Signal (SPO Alarm)
24-25	--	--	Not Used

Body Control Module (BCM) X7



Connector Part Information

- OEM: 15466053
- Service: See Catalog
- Description: 28-Way F Receptacle 0.64 Series (GY)

Terminal Part Information

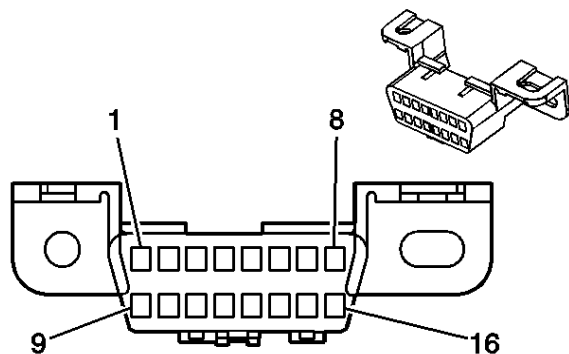
- Pins: 6-7, 9, 11-12, 15, 18-19, 21, 23, 26-28
- Terminal/Tray: SNAC3-A021T-M0.64/20
- Core/Insulation Crimp: J/J
- Release Tool/Test Probe: 12094429/J-35616-64B (L-BU)

Body Control Module (BCM) X7

Pin	Wire Color	Circuit No.	Function
1-5	--	--	Not Used
6	0.35 L-BU	5921	Driver Door Unlock Relay Control (AU3+YE9)
	0.35 L-BU	5921	Driver Door Lock Relay (AU3-YE9)
7	0.35 L-BU	195	Door Lock Control

8	--	--	Not Used
9	0.35 WH	194	Door Unlock Control
10	--	--	Not Used
11	0.35 OG/BK	781	Driver Door Lock Switch Unlock Signal (AU3)
12	0.35 PK/BK	780	Driver Door Lock Switch Lock Signal (AU3)
13-14	--	--	Not Used
15	0.5 PU	5059	Intrusion Sensor Alarm ON Signal (SPO Alarm)
16-17	--	--	Not Used
18	0.35 L-GN	170	Power Window Master Switch Right Rear Up Signal (AN3+Crew Cab+A31/Extended Cab+ABV)
19	0.35 PU	169	Power Window Master Switch Left Rear Down Signal (AN3+Crew Cab+A31/Extended Cab+ABV)
20	--	--	Not Used
21	0.35 D-BU	1307	Power Window Master Switch Lockout Signal (AN3+Crew Cab+A31/Extended Cab+ABV)
22	--	--	Not Used
23	0.35 TN	126	Left Front Door Open Switch Signal (-AN3)
24-25	--	--	Not Used
26	0.35 PU	171	Power Window Master Switch Right Rear Down Signal (AN3+Crew Cab+A31/Extended Cab+ABV)
27	0.35 L-BU/WH	280	Power Window Master Switch Lockout Right Rear Signal (AN3+Crew Cab+A31/Extended Cab+ABV)
28	0.35 D-GN	168	Power Window Master Switch Left Rear Up Signal (AN3+Crew Cab+A31/Extended Cab+ABV)

Data Link Connector (DLC)





Connector Part Information

- OEM: 12110250
- Service: See Catalog
- Description: 16-Way F Metri-Pack 150 Series (BK)

Terminal Part Information

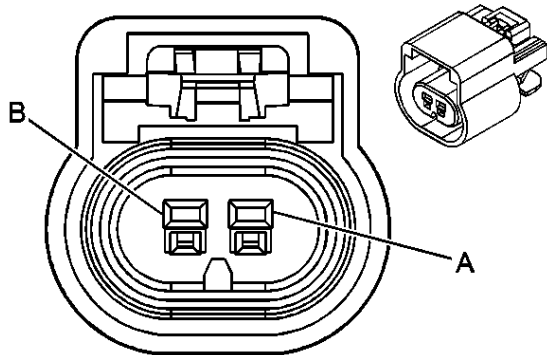
- Pins: 1, 6, 14
- Terminal/Tray: 12129484/19
- Core/Insulation Crimp: E/C
- Release Tool/Test Probe: 12094429/J-35616-2A (GY)

- Pins: 4, 5, 16
- Terminal/Tray: 12129484/19
- Core/Insulation Crimp: E/A
- Release Tool/Test Probe: 12094429/J-35616-2A (GY)

Data Link Connector (DLC)

Pin	Wire Color	Circuit No.	Function
1	0.35 D-GN	5060	Low Speed GMLAN Serial Data
2-3	--	--	Not Used
4	0.8 BK	1050	Ground
5	0.8 BK/WH	1851	Ground
6	0.5 TN/BK	2500	High Speed GMLAN Serial Data Bus+
7-13	--	--	Not Used
14	0.5 TN	2501	High Speed GMLAN Serial Data Bus-
15	--	--	Not Used
16	0.8 RD/WH	640	Battery Positive Voltage

Terminator Resistor



**Connector Part Information**

- OEM: 15326801
- Service: 15306156
- Description: 2-Way F GT 150 Series (BK)

Terminal Part Information

- Terminal/Tray: 15326427/5
- Core/Insulation Crimp: E/A
- Release Tool/Test Probe: 15315247/J-35616-2A (GY)

Terminator Resistor

Pin	Wire Color	Circuit No.	Function
A	0.5 TN/WH	2500	High Speed GMLAN Serial Data Bus+
B	0.5 TN	2501	High Speed GMLAN Serial Data Bus-

[<- Back](#)[Forward ->](#)

Document ID# 1849309
2007 Chevrolet Silverado - 4WD

[Print](#)